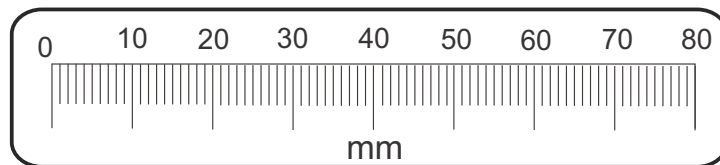
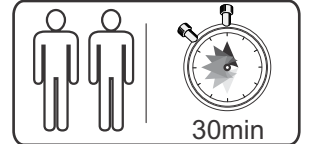
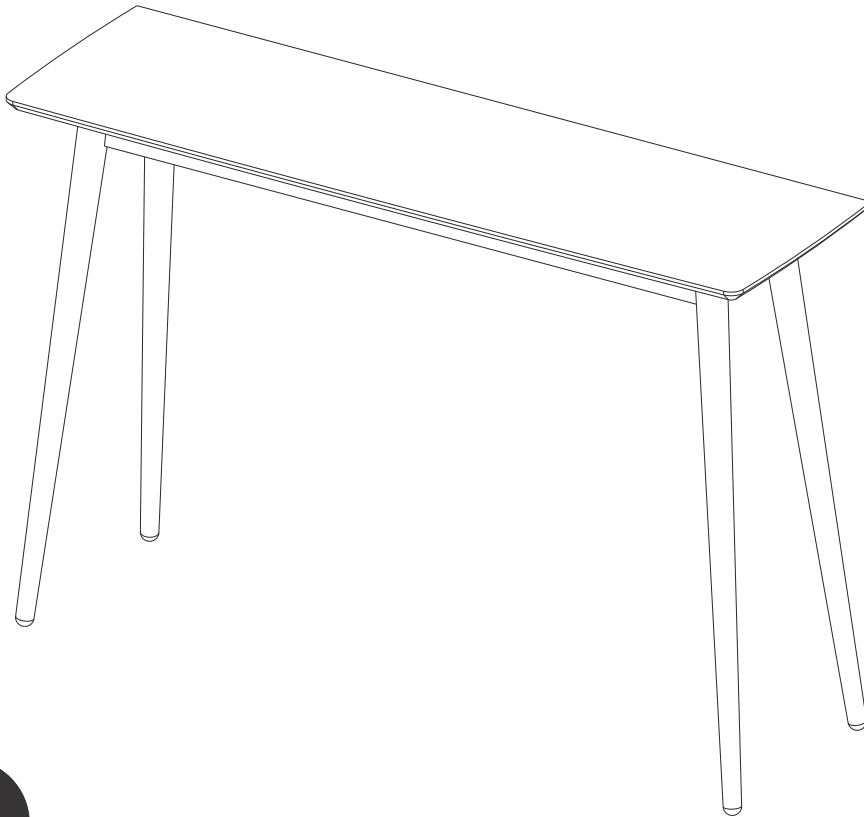
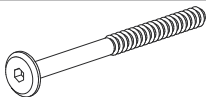
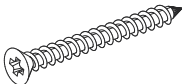
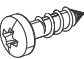
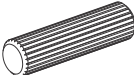
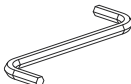
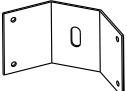
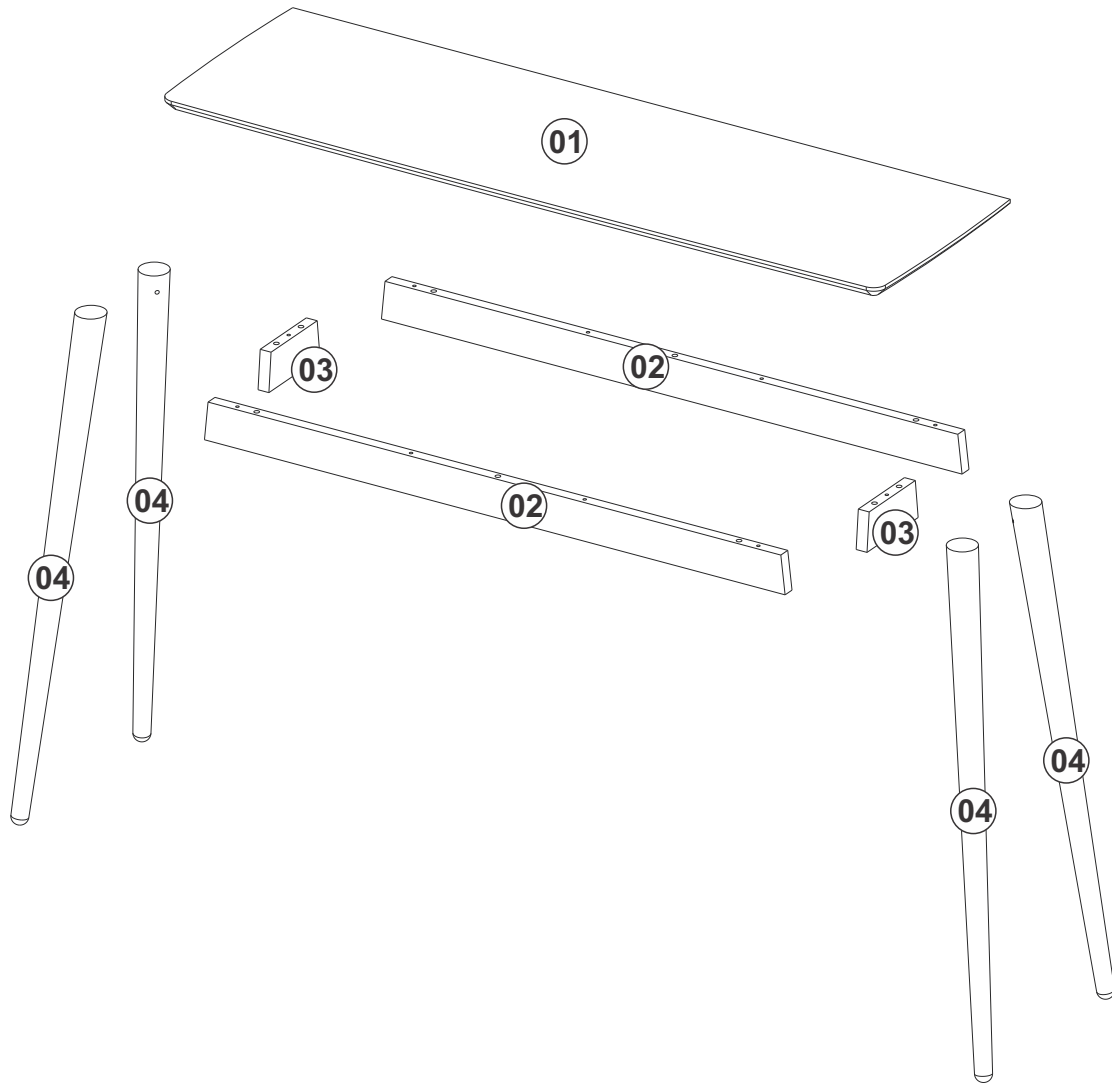


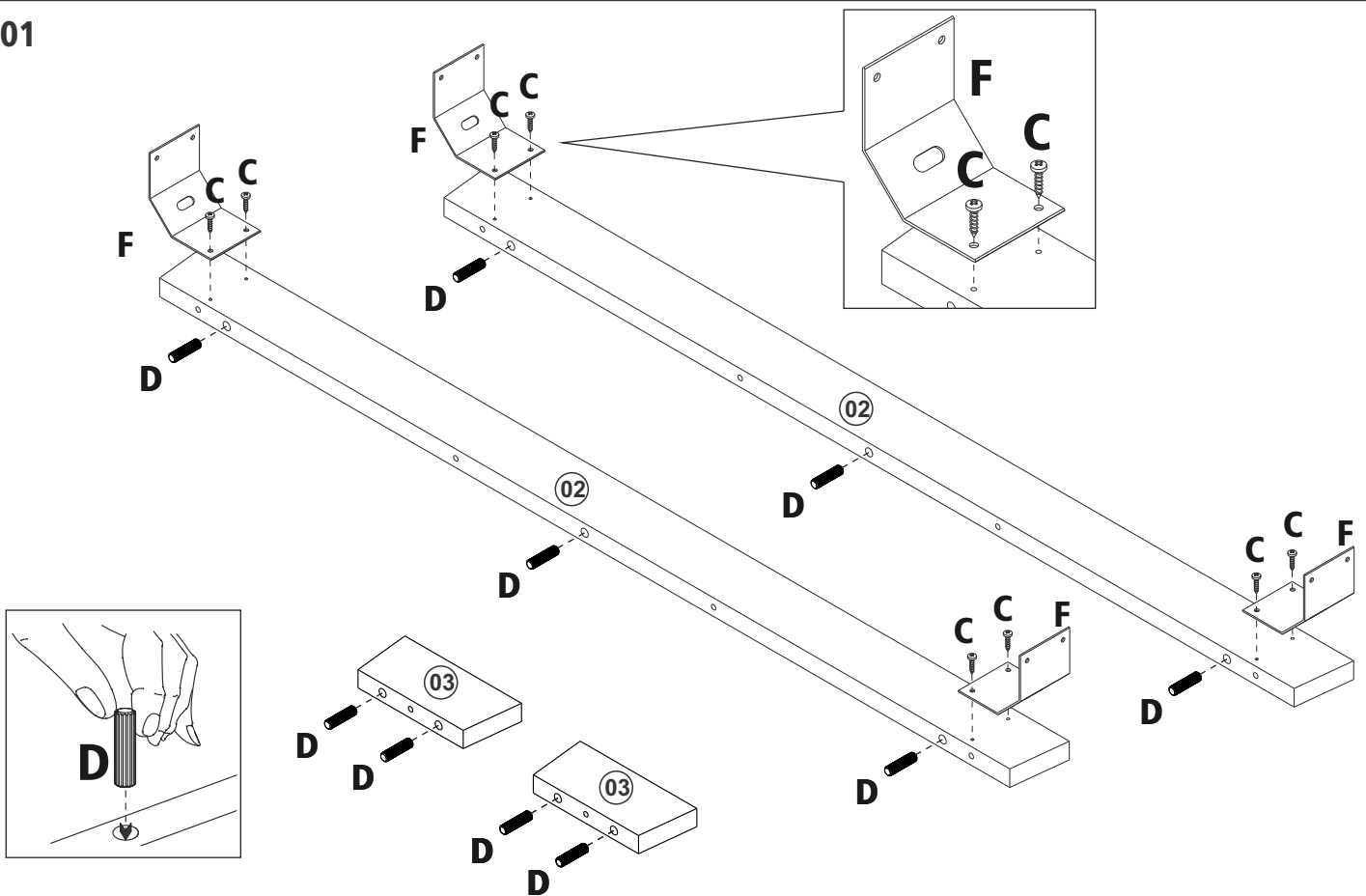
REF. 008



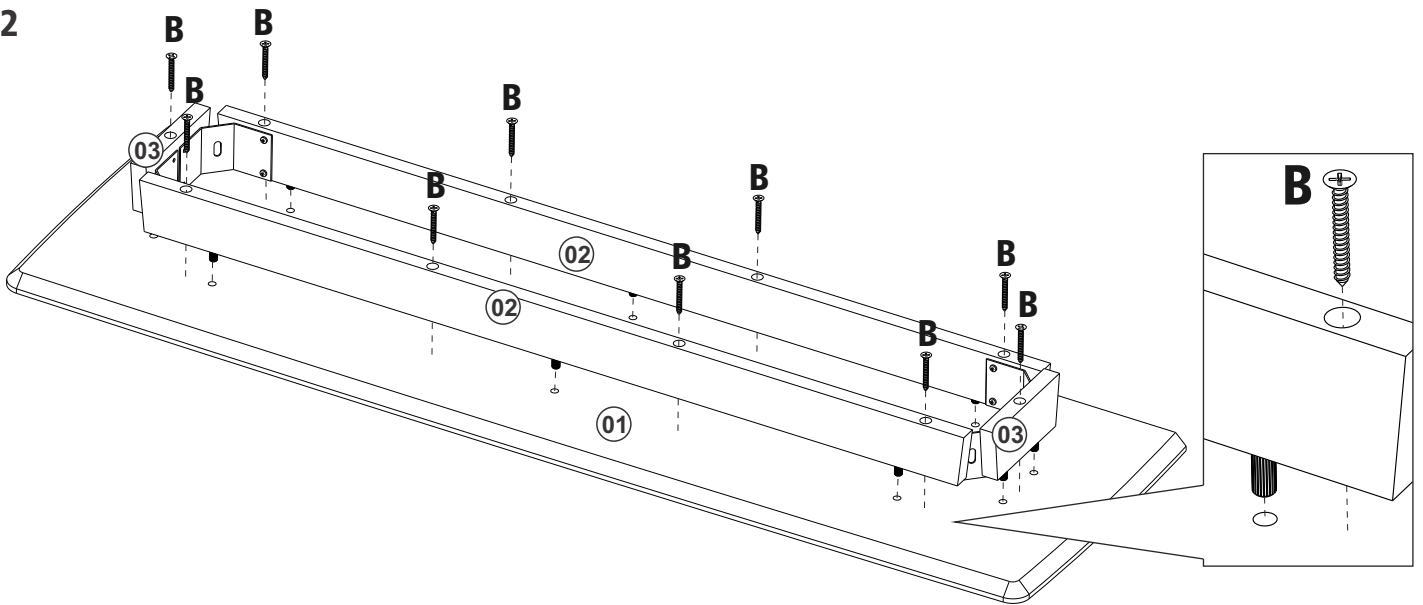
A		7 x 60	04
B		4,0 x 40	10
C		3,5 x 14	16
D		Ø8x30	10
E		Chave Z	01
F		Cantoneira	04



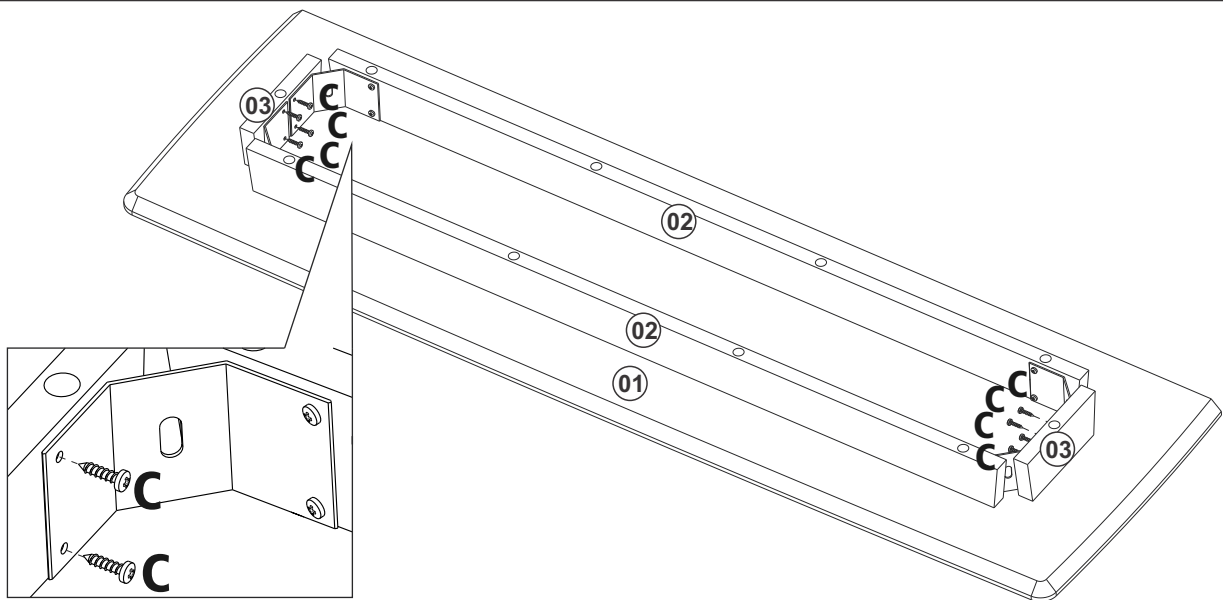
01



02



03



04

