



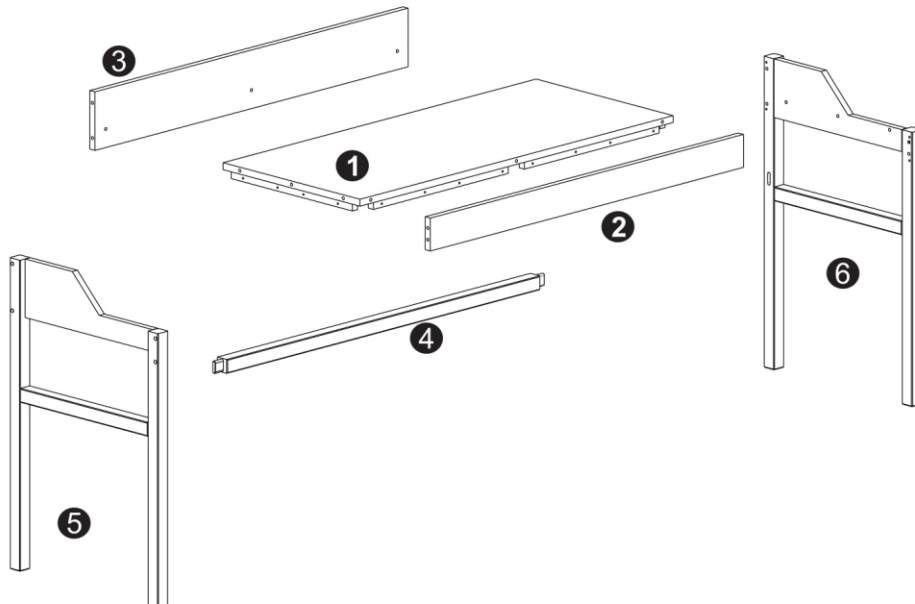
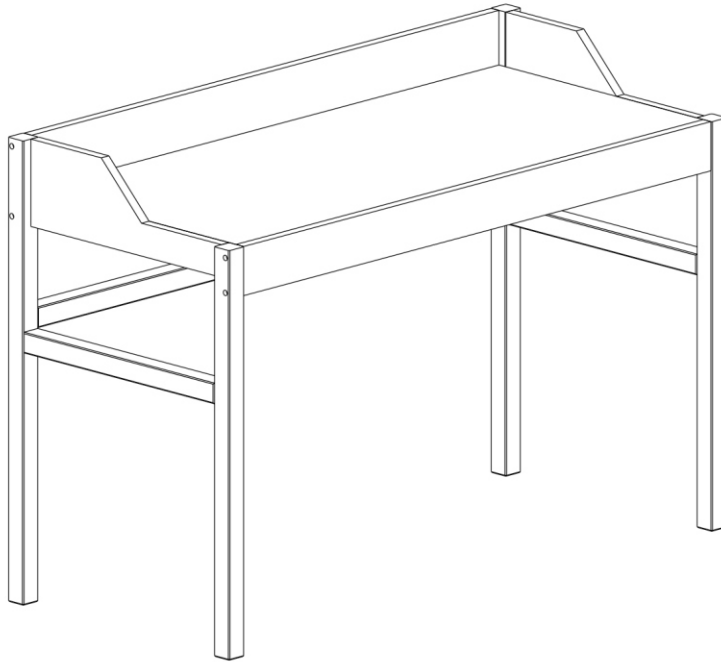
2 person

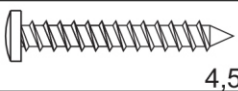

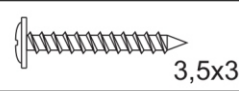


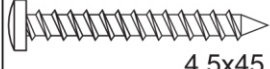
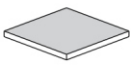


20 min.

INDUSTRIAL

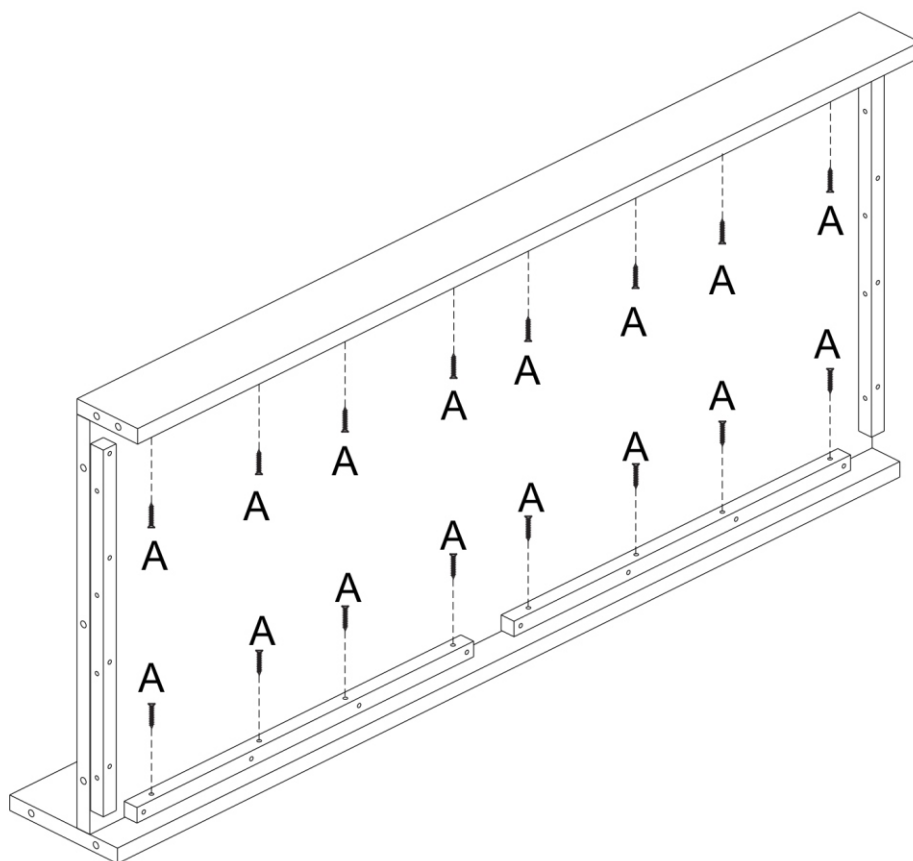
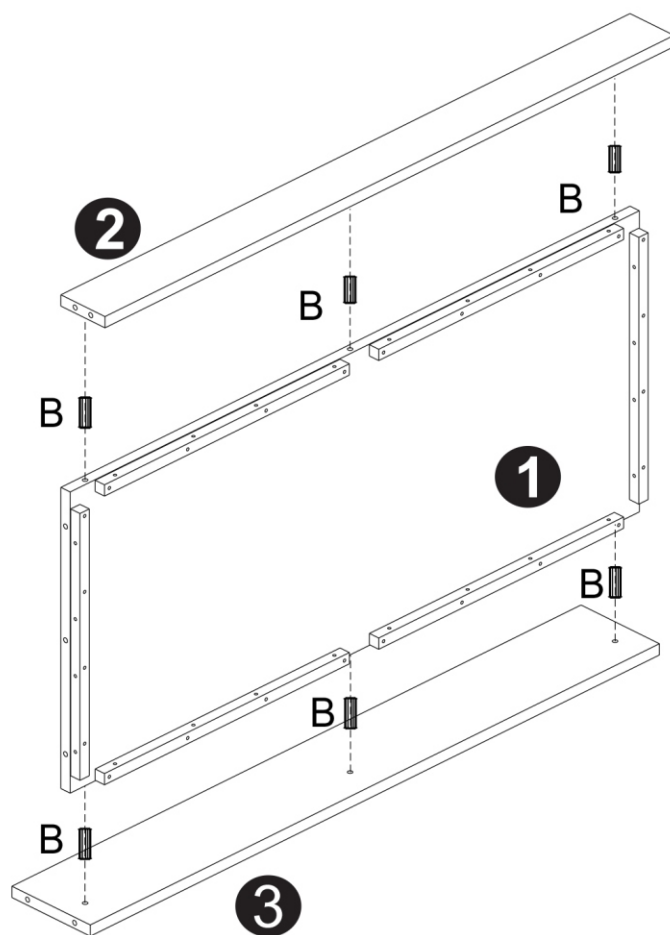
Escrivaninha Matt

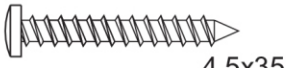



A	 4,5x35	24	D	 12g	02	G	 3,5x30	02
B	 8,0x30	20	E	 Wood Cap 8x10	08	H	 4,5x45	08
			F	 20x20	04			



Studio
MADEIRA

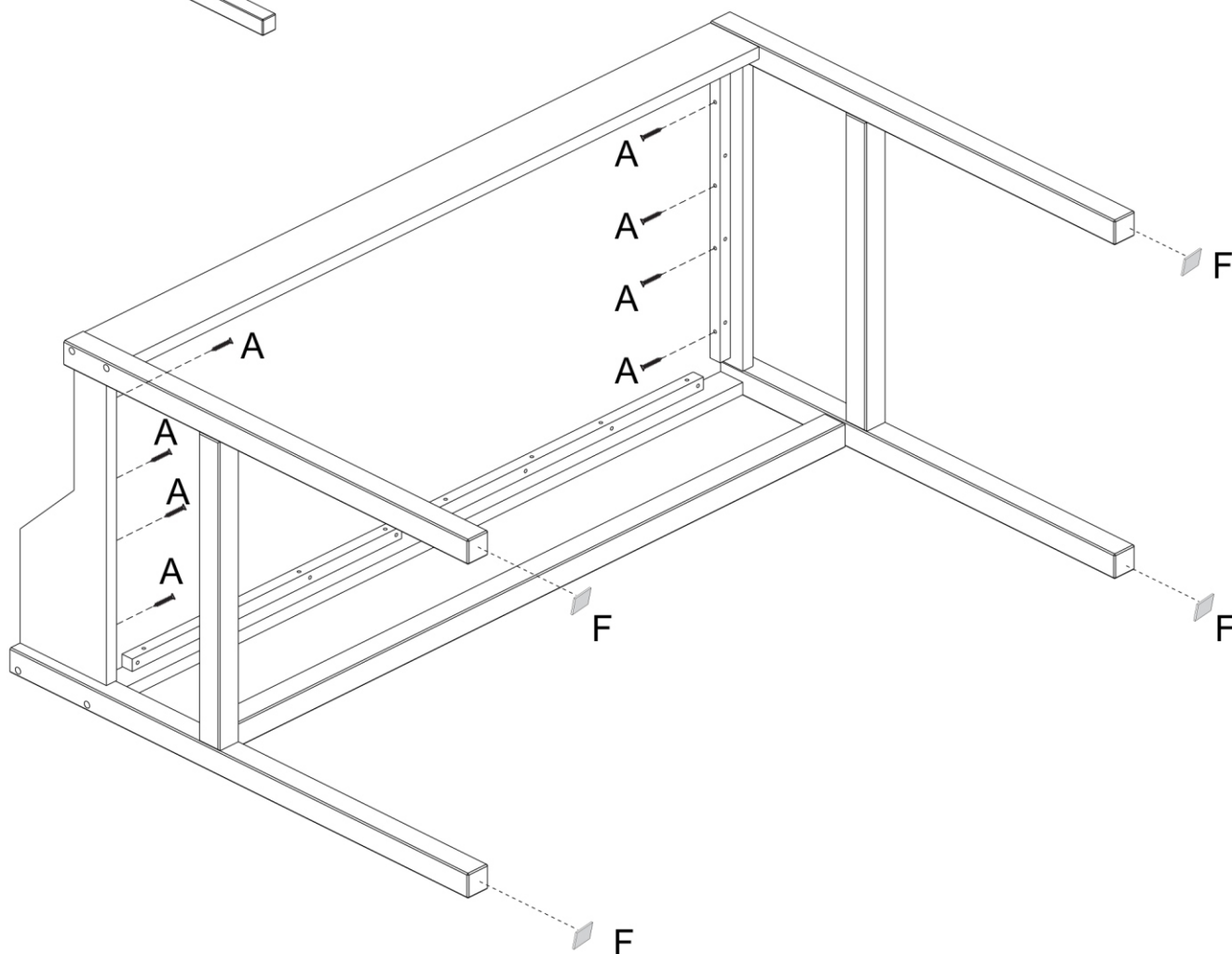
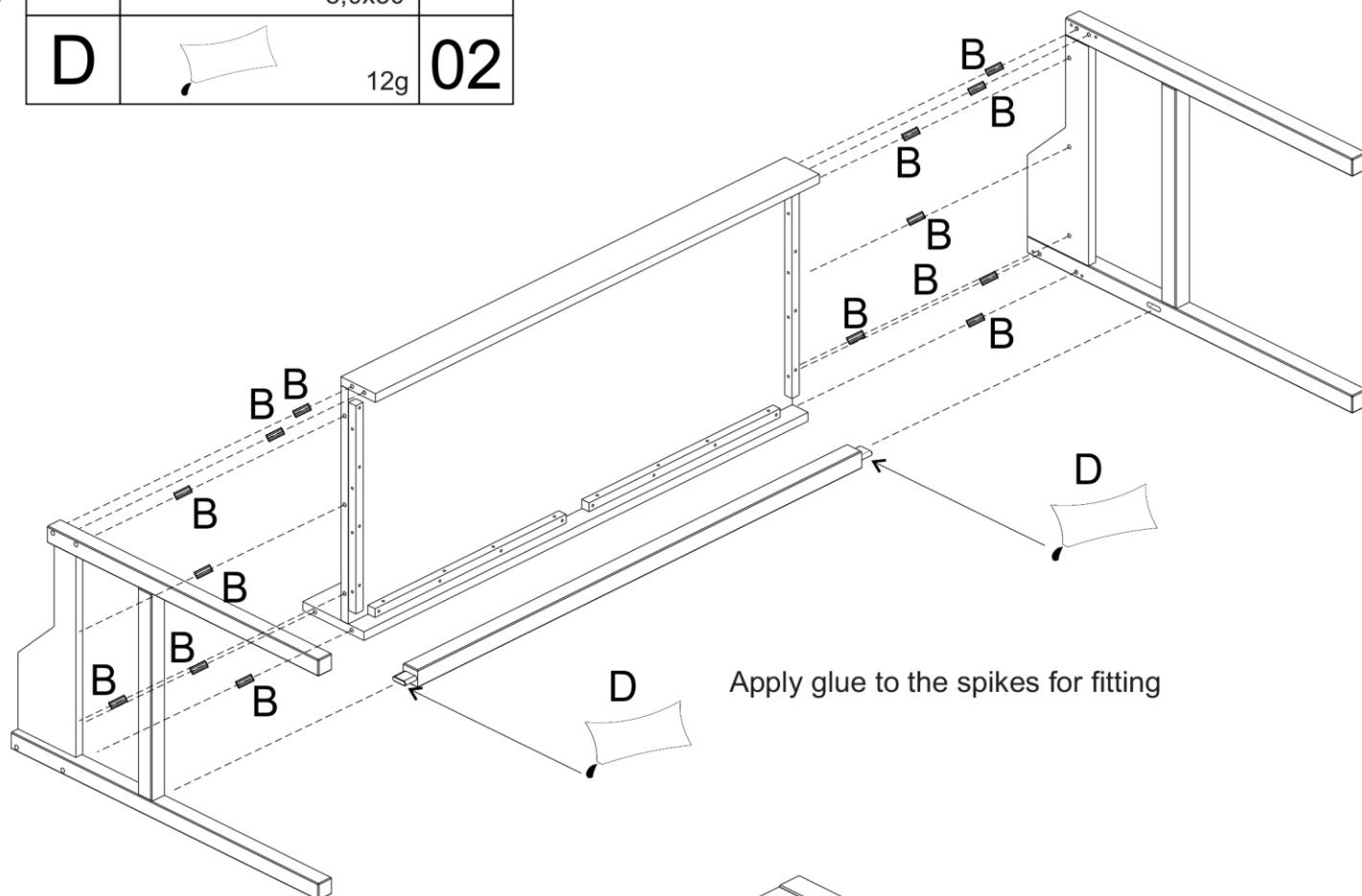
If you assemble the parts on the floor.
Use a cardboard or cloth so as not to harm the parts.

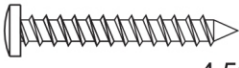
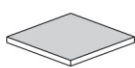


A	 4,5x35	16
B	 8,0x30	06

3

B	 8,0x30	14
D	 12g	02

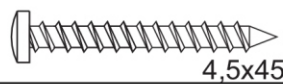


A	 4,5x35	08
F	 20x20	04

4

5

H



4,5x45

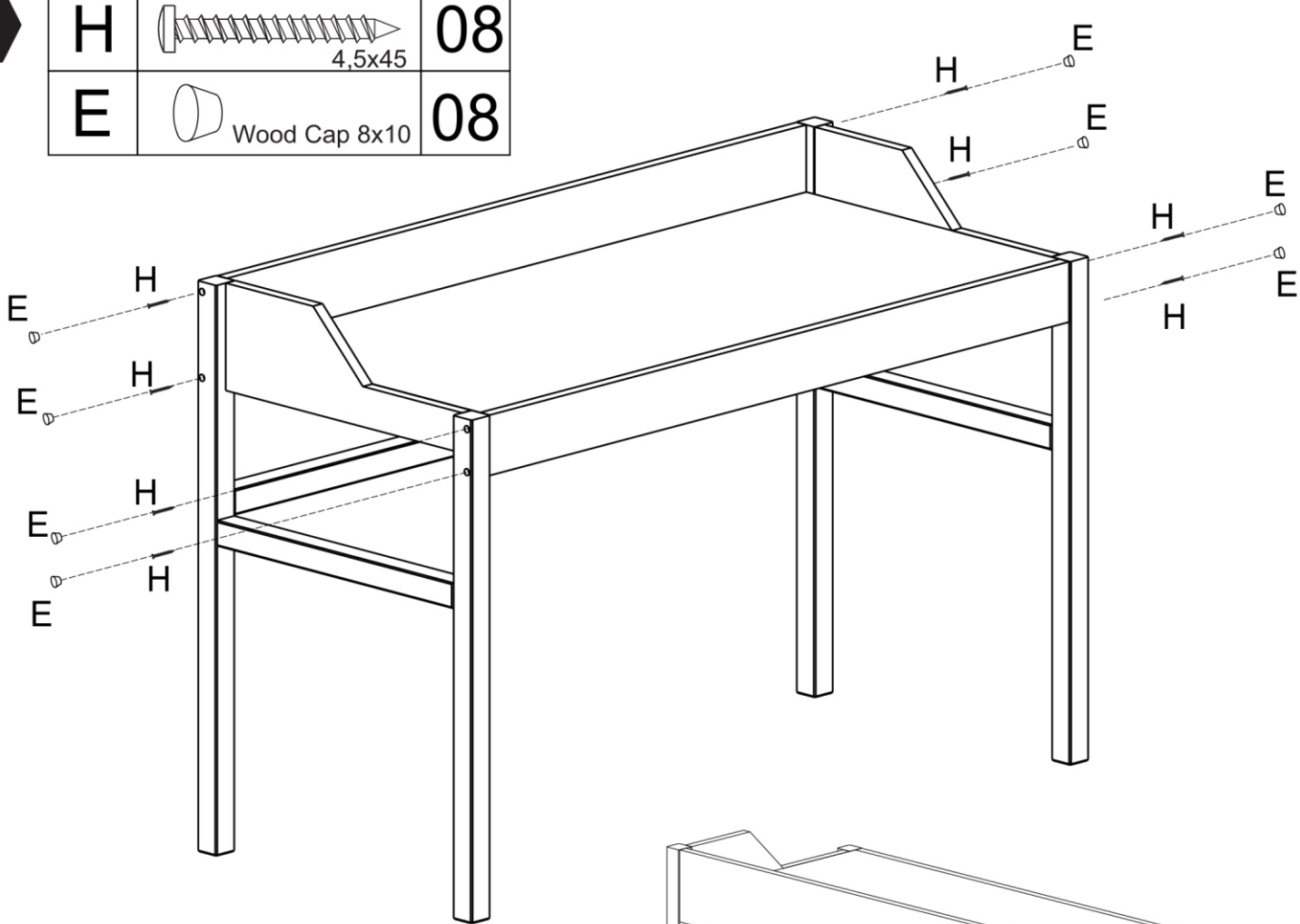
08

E

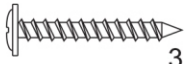


Wood Cap 8x10

08

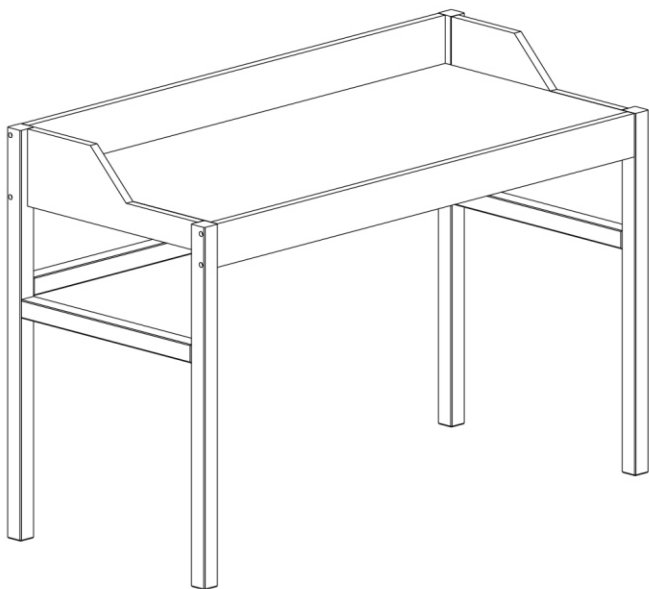
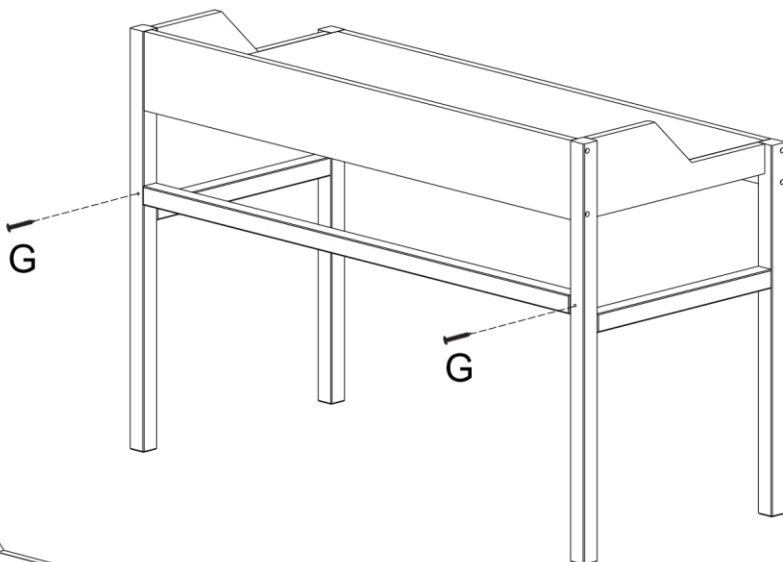


G



3,5x30

02



PLEASE NOTE:

After assembly the product should be left to rest for a period of 24 hr. To dry it the glue.

6