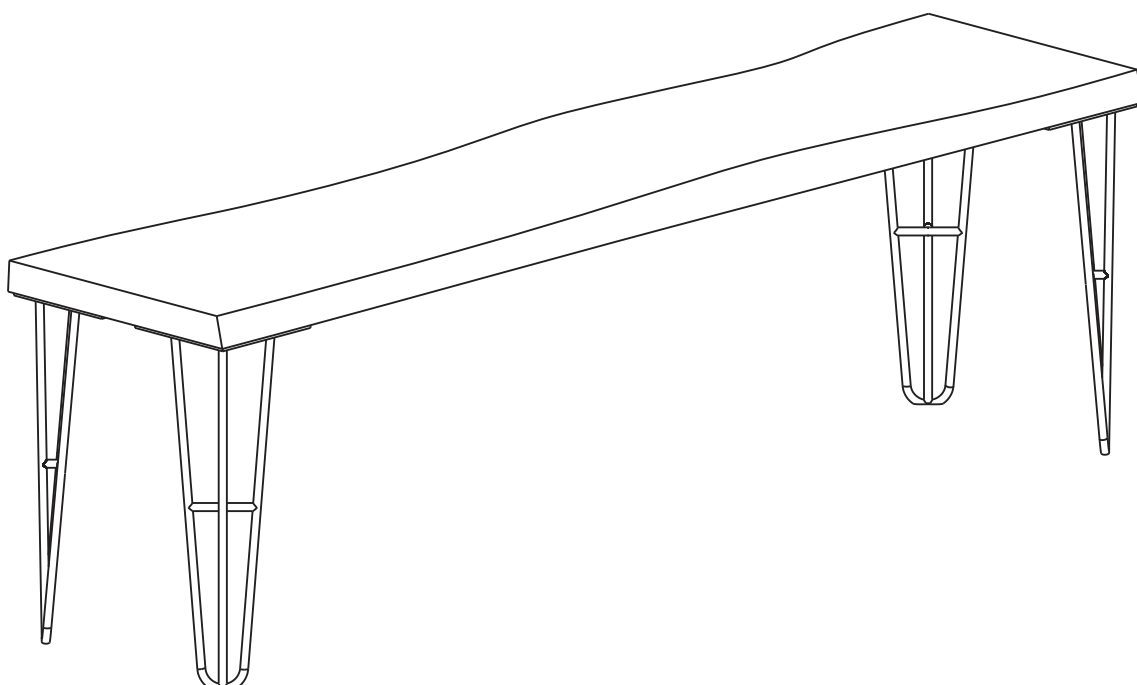


SKU 42529769
SKU 42629761

Bench HAIRPIN 60"

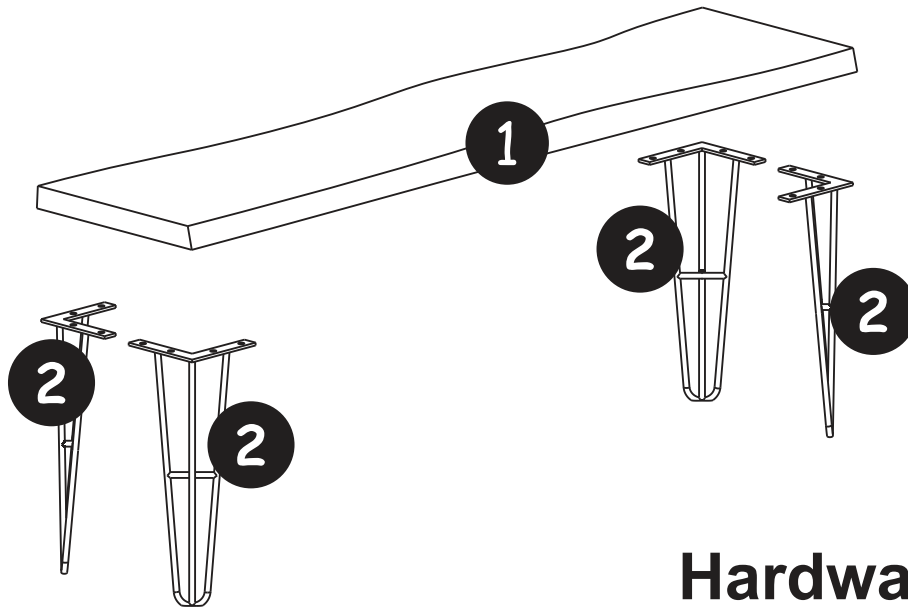
01/02








IMPORTANT

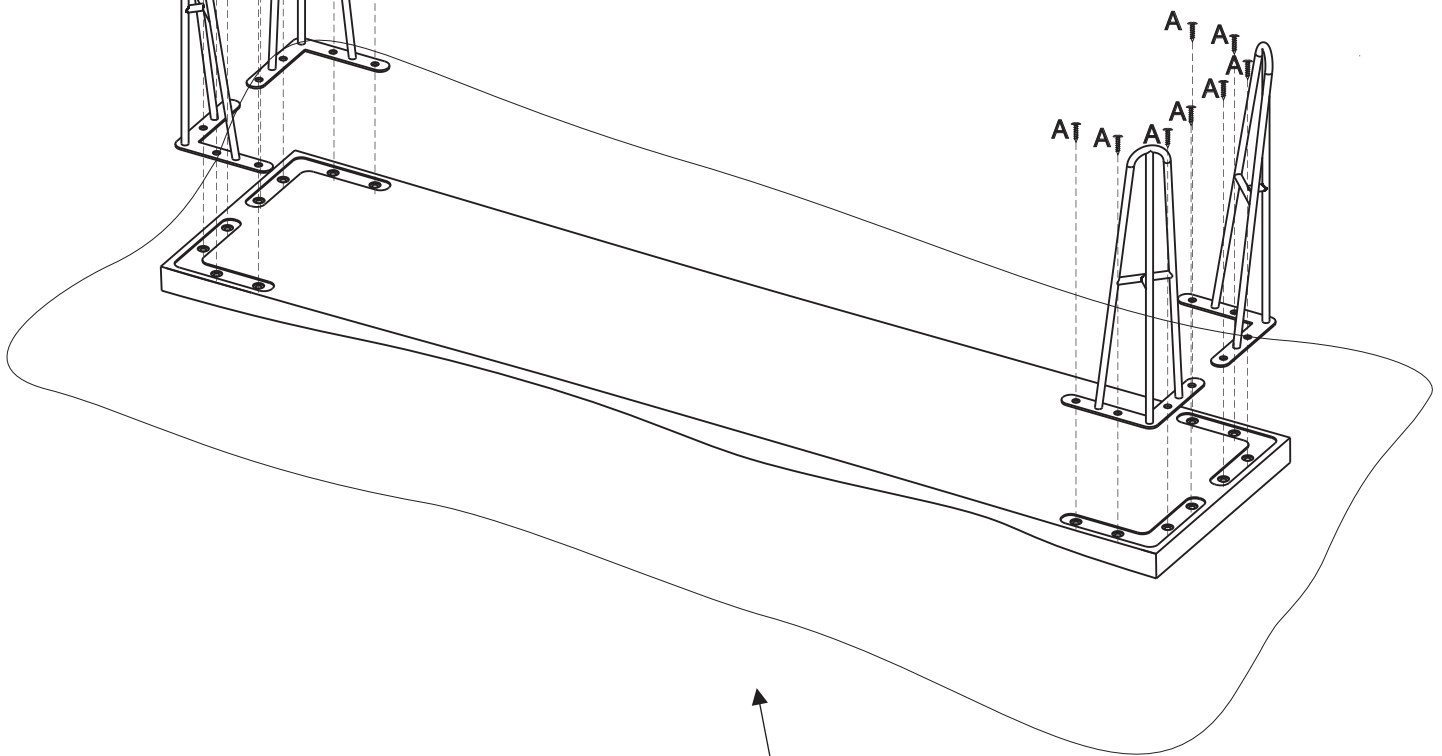
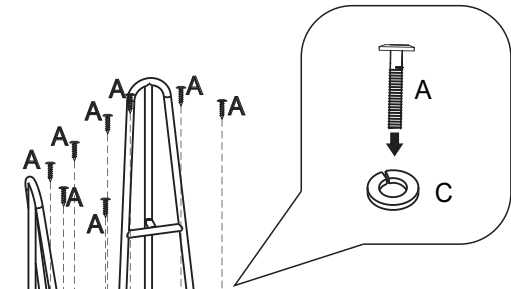
The assembly of this product should be done in a clean and flat surface we recommend to use the carton to protect the product during assembly. The screws can't be exaggeratedly tight to avoid taking out the internal metal nuts.

Parts List



Hardware List

A	 1/4X20mm	16
B	 or 	01
C	  5/16"	16



Put a guard on the floor so you do not strach the table